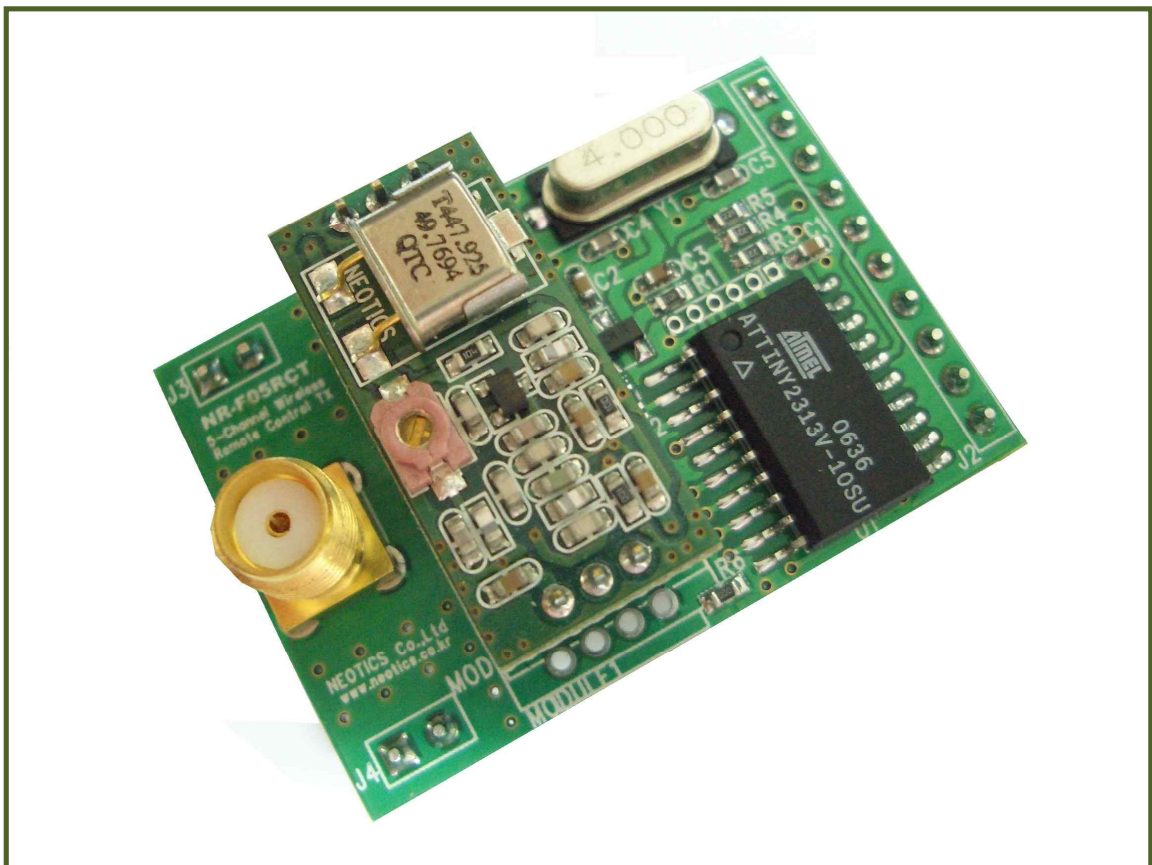


# Wireless Remote Switch Transmitter Unit

## 5-Channel, (Max 10-Channel)

**NR-F05RCT** Ver 7.0

Related Products : NR-F05RCR (Wireless Remote Switch Receiver Unit)



### 1. 5-Channel Wireless Remote Switch Transmitter Unit.

- \* This is a wireless remote control transmitter that can operate or turn on/off maximum 10 switches or equipments.
- \* Wireless receiver and transmitter are now being utilized around us to control machines or home electronics like TV, lighting, audio equipment etc.
- \* Wireless system makes it easier to use/control various daily electronic devices such as automatic door, electric heater, robot products, etc.

### 2. Features.

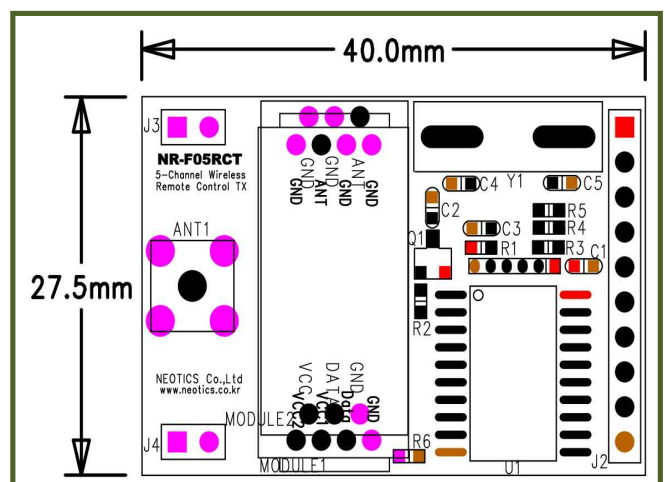
- . No wiring work required, unlike wired communication method.
- . Cost/time for wiring work not required.
- . With operating voltage-5V, it can be applied into battery-run products.
- . Miniature sized, not to affect the size of your product.
- . Each module has 8 different identification codes to prevent crossing.

### 3. Applications.

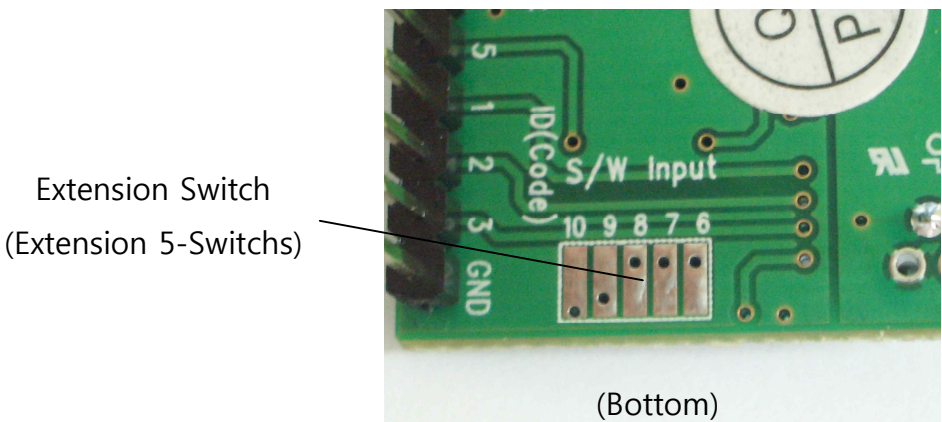
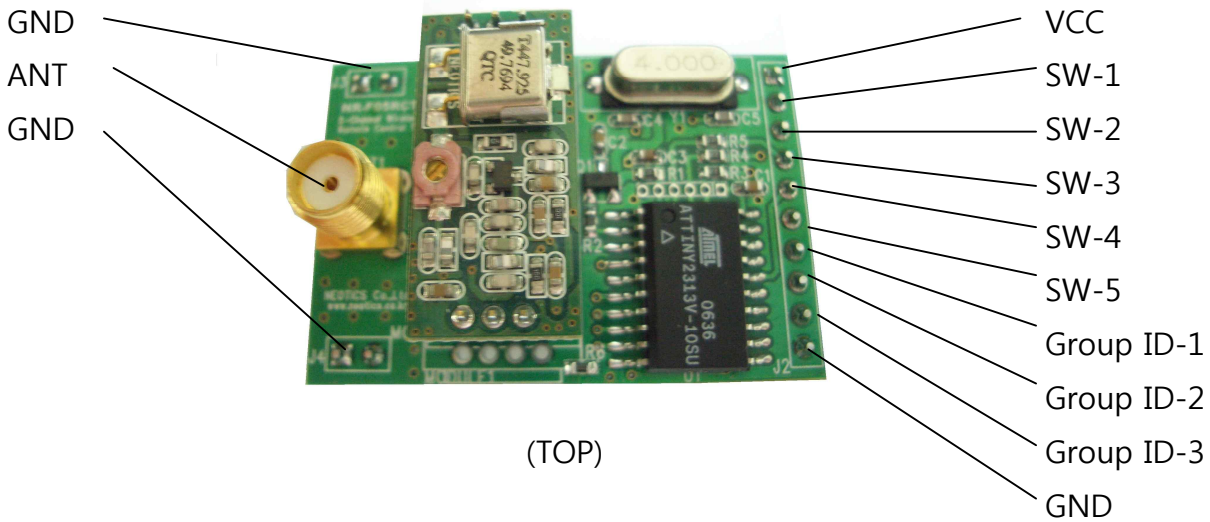
- . Remote controlling of home electric/electronic devices.
- . Automatic curtain, fluorescent lamp, personal locker, electron key, automatic door etc.
- . Machinery power on/off, crane operation, sensor, automatic alarm etc.

### 4. 5-Channel Wireless Remote Switch Unit Specification & Size.

Item	Specification
POWER	DC 5V
Current	Under 60mA
Frequency	447MHz Band
Input Switch	5-Switch (Max 10)
Group Set	8 Group Set
Switch Pin	Connect GND

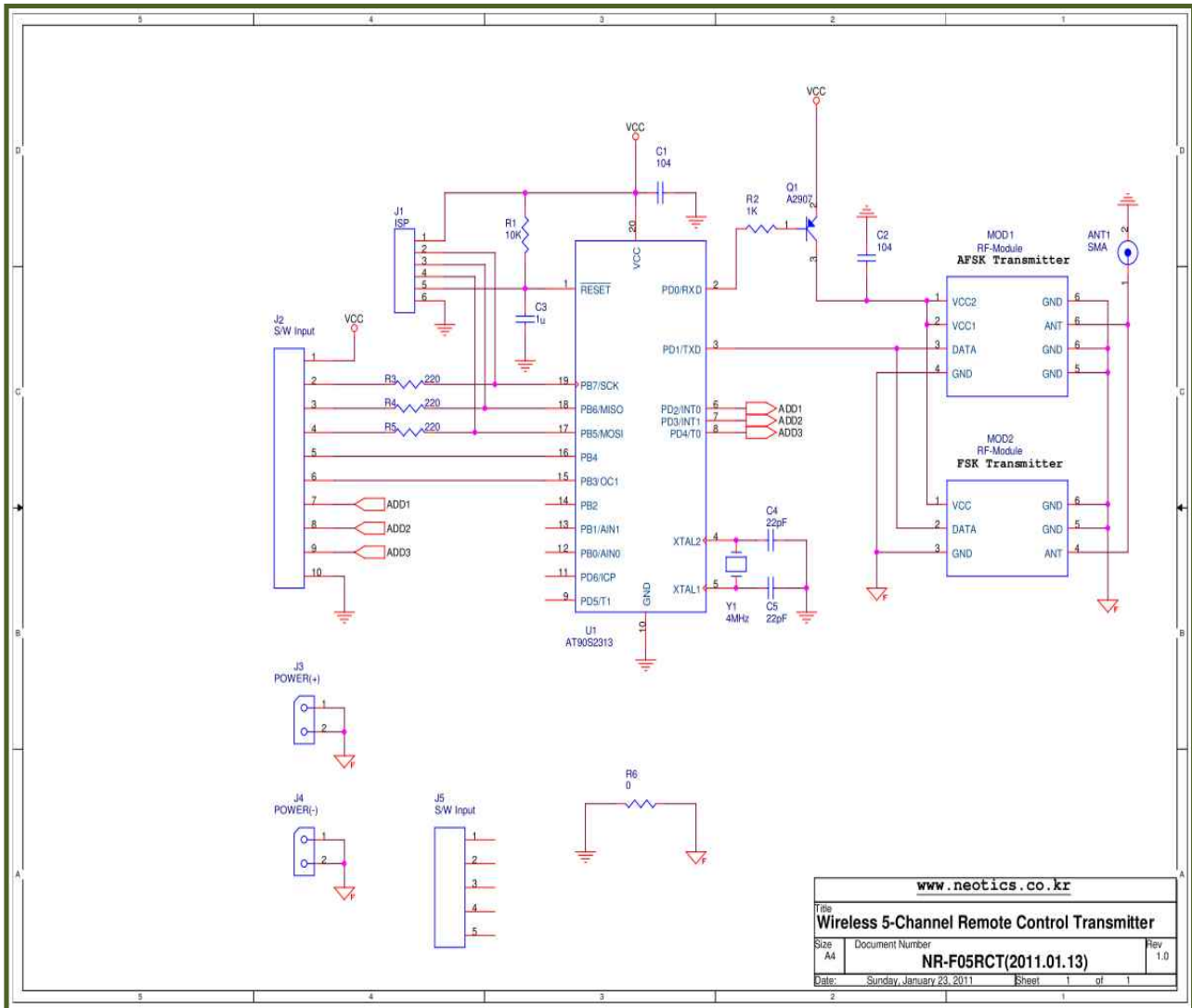


**5. 5-Channel Wireless Remote Switch Unit Information.**



- . ANT : Connect Antenna.
- . Group ID 1,2,3 : Set the Control Group (Group-ID).... 3-Bit  
( 8 Group : 0,0,0 ~ 1,1,1..... Connect GND Set)
- . VCC : Input Power DC 5V (+).
- . GND : Input Power DC 5V (-).
- . SW 1~5 : Normal Control Switch 5-Switch. (Transmit Signal, If Connect GND)
- . Extension Switch : Extension Control Switch 5-Switch, (Transmit Signal, If Connect GND)

6. 5-Channel Wireless Remote Switch Unit Circuit.



\*\*\*\*\* Caution\*\*\*\*\*

1. Check the features first to connect with other equipment.
2. This circuit is strictly tested.
3. The developer, manufacturer or dealer is not responsible for any malfunctioning/damage caused by connection with other equipment.
4. Appropriate permit /approval is required for some products utilizing this module, depending on functions and usages.

● For more information and inquiry, please refer to the sites below.

R&D : <http://www.neotics.co.kr>  
 Sales : <http://www.logiccamp.co.kr>

E-Mail : [neotics@neotics.co.kr](mailto:neotics@neotics.co.kr)  
 E-Mail : [sales@logiccamp.co.kr](mailto:sales@logiccamp.co.kr)