

5.8GHz Video/Audio Transmitter Module

Max 10mW

NR-AV58LTM Ver 7.0

Related Products : NR-AV58HTU (5.8GHz A/V Transmitter Unit 100mW)
NR-AV58HTM (5.8GHz A/V Transmitter Module 100mW)
NR-AV58LTU (5.8GHz A/V Transmitter Unit 10mW)
NR-AV58RM (5.8GHz A/V Receiver Module)
NR-AV58RU (5.8GHz A/V Receiver Unit)
NR-AV58PT, PR (5.8GHz Long Distance A/V TX, RX)



1. 5.8GHz Video/Audio Transmitter Module.

- * NR-AV58LTM is a 5.8 GHz Video/Audio(stereo) Transmitter for ISM band.
- * NR-AV58LTM can transmit both NTSC and PAL video signals wirelessly so that CCTV/VTR/ Video camera may be used in the places where wired connection is not available.
- * NR-AV58LTM, being able to transmit both NTSC and PAL, can be used for Korean as well as foreign products design, without alteration of module.
- * NR-AV58LTM adopts FM-method modulation/demodulation for high quality wireless video/audio transmission, so you get clearer picture and higher sound quality.
- * NR-AV58LTM is developed as IC chip dedicated to video/audio transmission, minimizing the components used. It can work on low power.
- * NR-AV58LTM, being developed in such a way as PLL Synthesizer, supplies stable frequency and also can alter frequency into maximum 7 transmit channels.

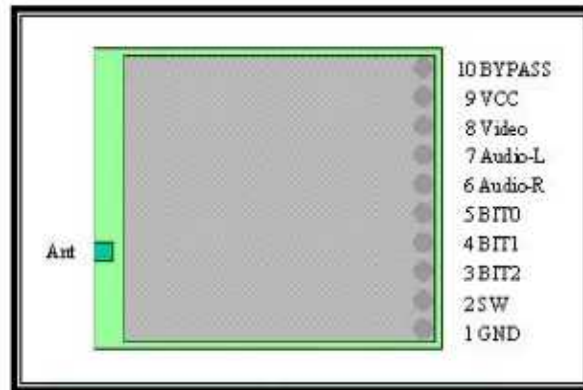
2. Features & Applications.

- . Clearer picture and higher sound quality, using 5.8 GHz
- . Transmission of video and audio signals.
- . Transmits both NTSC/PAL signals.
- . Supplies stable frequency as PLL Synthesizer, and can avail maximum 7 different channels.
- . Requiring only a few components around the module, it is easy to apply.

3. 5.8GHz Video/Audio Transmitter Module Specification.

Item	Specification
Supply Voltage	DC 5V
Supply Current	Under 160mA
Transmitter Channel(MAX)	7-Channel
RF Output Power	Under100mW.
Antenna Impedance	50Ω
RF Deviation – Video, Audio(L,R)	3.8MHz, (70KHz, 80KHz)
Video, Audio Mode/Demodulation	FM - FM
channel Selection	PLL Synthesizer
Frequency	5.740GHz, 5.760GHz, 5.780GHz, 5.800GHz 5.820GHz, 5.840GHz, 5.860GHz

4. 5.8GHz Video/Audio Transmitter Module Pin Information.



PIN	NAME	Descriptions	PIN	NAME	Descriptions
01	GND	Ground	06	Audio-R	Audio Right CH Input
02	SW	Connect to external tack switch for CH selection (see note1)	07	Audio-L	Audio Left CH Input
03	BIT2	see note2	08	Video	Video Input
04	BIT1		09	VCC	DC +5V power supply in
05	BIT0		10	BYPASS	Bypass capacitor

Note1:

SW	Descriptions	Frequency						
Tack switch		5740→5760→5780→5800→5820→5840→5860(MHz)						
		<table style="margin-left: auto; margin-right: auto;"> <tr> <td style="text-align: center;">CH1</td> <td style="text-align: center;">CH2</td> <td style="text-align: center;">CH3</td> <td style="text-align: center;">CH4</td> <td style="text-align: center;">CH5</td> <td style="text-align: center;">CH6</td> <td style="text-align: center;">CH7</td> </tr> </table>	CH1	CH2	CH3	CH4	CH5	CH6
CH1	CH2	CH3	CH4	CH5	CH6	CH7		

Note2:

Pin3 BIT2	Pin4 BIT1	Pin5 BIT0	Descriptions	Frequency
0	0	0	Pin 3, Pin 4, Pin 5 connect to GND.	5740MHz (CH1)
0	0	1	Pin 3 and Pin 4 connect to GND, Pin 5 OPEN.	5760MHz (CH2)
0	1	0	Pin 3 and Pin 5 connect to GND, Pin 4 OPEN.	5780MHz (CH3)
0	1	1	Pin 3 connect to GND, Pin 4 and Pin 5 OPEN.	5800MHz (CH4)
1	0	0	Pin 4 and Pin 5 connect to GND, Pin 3 OPEN.	5820MHz (CH5)
1	0	1	Pin 4 connect to GND, Pin 3 and Pin 5 OPEN.	5840MHz (CH6)
1	1	0	Pin 5 connect to GND, Pin 3 and Pin 4 OPEN.	5860MHz (CH7)

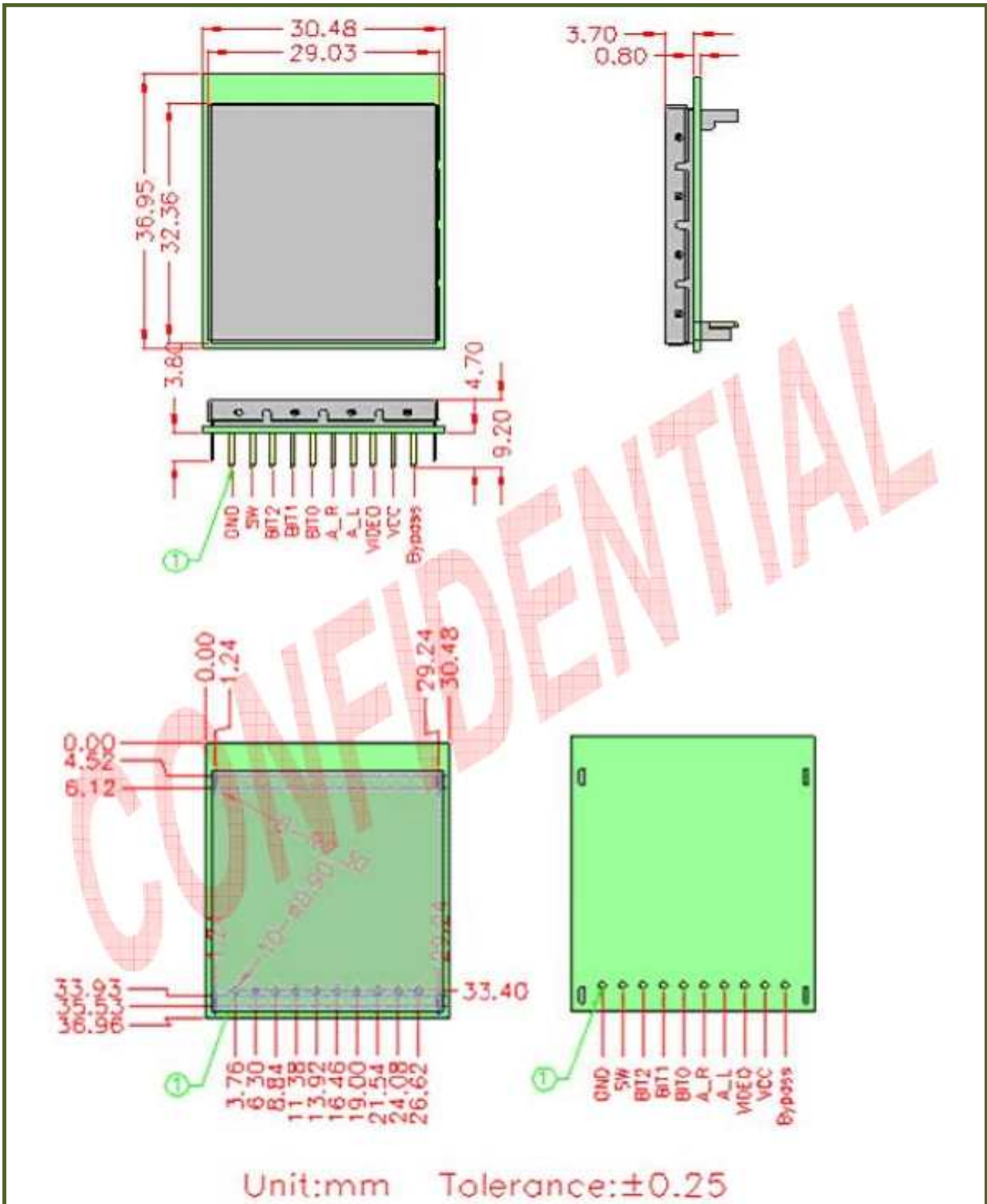
R&D : <http://www.neotics.co.kr>

E-Mail : neotics@neotics.co.kr

Sales : <http://www.logiccamp.co.kr>

E-Mail : sales@logiccamp.co.kr

5. 5.8GHz Video/Audio Transmitter Module Size.



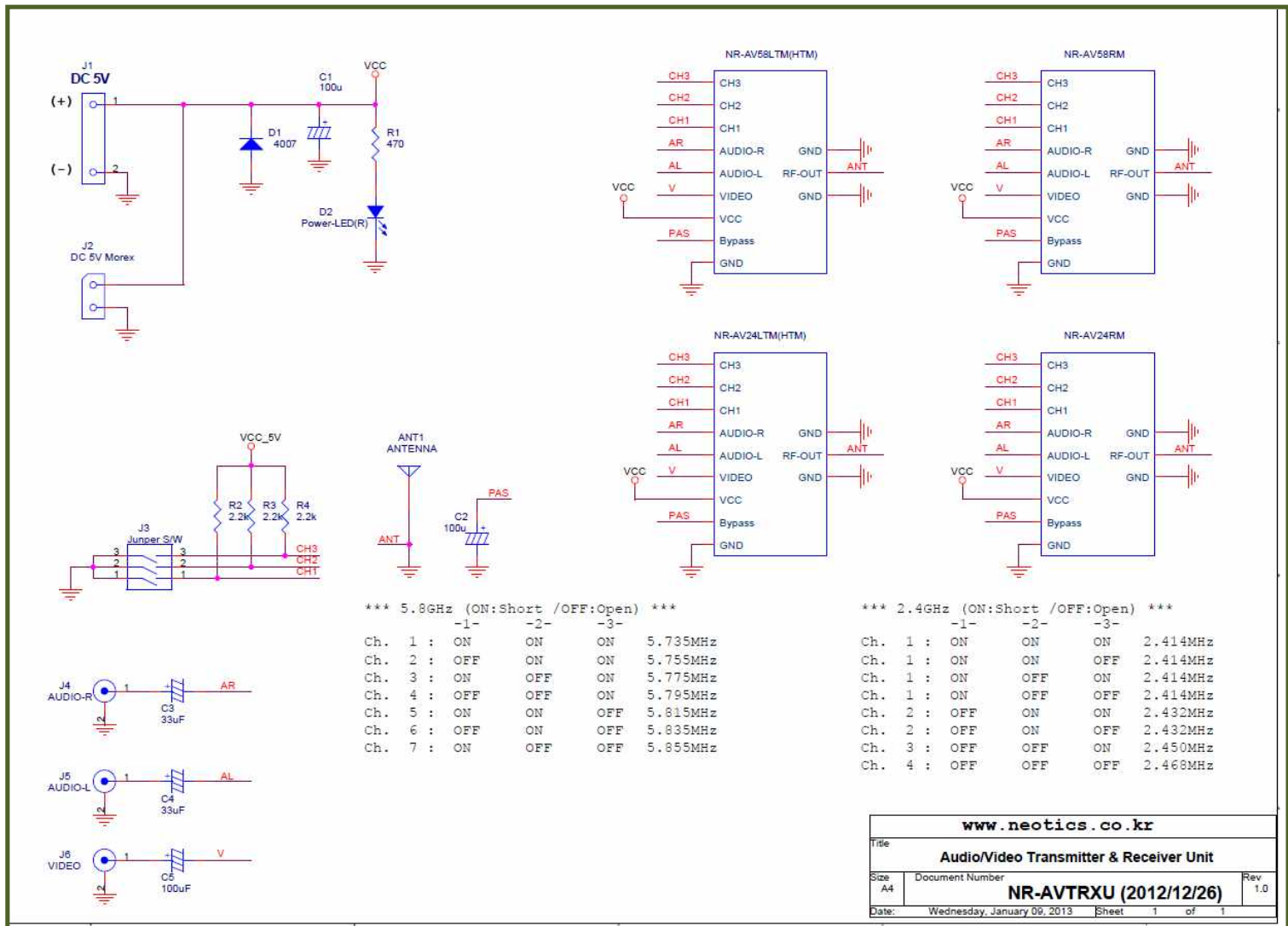
R&D : <http://www.neotics.co.kr>

E-Mail : neotics@neotics.co.kr

Sales : <http://www.logiccamp.co.kr>

E-Mail : sales@logiccamp.co.kr

6. 5.8GHz Video/Audio Transmitter Module Test Circuit.



******* Caution*******

1. Check the features first to connect with other equipment.
2. This circuit is strictly tested.
3. The developer, manufacturer or dealer is not responsible for any malfunctioning/damage caused by connection with other equipment.
4. Appropriate permit /approval is required for some products utilizing this module, depending on functions and usages.

*** For more information and inquiry, please refer to the sites below.**

R&D : <http://www.neotics.co.kr>
 Sales : <http://www.logiccamp.co.kr>

E-Mail : neotics@neotics.co.kr
 E-Mail : sales@logiccamp.co.kr